

PATIENT WATER QUALITY ICE MACHINE FILTER PRODUCT DATA SHEET

GENERAL INFORMATION



Microbiological outbreaks in water supplies do happen and simple disinfection does not always offer enough protection for the end user. Ice machines often provide drinking water to patients who, per municipal water quality reports, could be at higher risk of infection. To guarantee better infection control SafeTGard offers hollow fiber membrane products with billions of microscopic pores small enough to retain bacteria and cysts, but large enough to allow vital minerals and disinfectants through. Our membrane cartridges offer unique fail safe protection, which ensures the filter will block towards the expiry date.

CERTIFICATIONS

WQA Gold Seal Certification to NSF Standard



⁽¹⁾ Product performance is dependent on incoming water conditions.

BENEFITS

- Biological retention
- Unique fail safe protection
- Quick connect couplings for hygienic handling

APPLICATIONS

- Ice machine filtration
- POU drinking water filtration
- Water fountain filtration
- Office coffee & water, vending applications
- Dental chair feed filtration
- Food service

SPECIFICATIONS & PERFORMANCE DATA ⁽¹⁾

- Model: STG-IC
- Max dimensions: 9.5"x3.5" (240x89 mm)
- Weight: .90 lbs. (410 g)
- Connection: 3/8" NPT/BSP
- Micron rating 0.2 μ
- Max. operating pressure: 6 bar (87 psi)
- Operating temperature: 0 - 40° C (32 - 104° F)
- Chlorine exposure: 1,200 ppm for total of 10 hours during lifetime.
- Storage & Handling:
 - Validated shelf life: 2 years
 - Keep dry during storage; protect against freezing after first use
 - Handle with care; do not expose to shocks
 - Disposable product; discard as regular waste
- Installation & Maintenance
 - Replace cartridges when capacity is reached or when flow becomes too slow, but at least every 90 days.

PATIENT WATER QUALITY ICE MACHINE FILTER

Model Number	OCMF	OCMFRE
Initial Flowrate @ 4 bar	20 l/min (5 GPM) ⁽²⁾	
Validated Lifetime	90 days ⁽³⁾	
Biological Retention	Bacteria > 6 / Fungi > log 4 ⁽⁴⁾	

(2) Fits standard flow restrictors.

(3) Actual lifetime may vary depending on water quality and usage.

(4) Refer to the validation guide for information.



THE WATER QUALITY ASSOCIATION
GOLD SEAL

Product Certification:

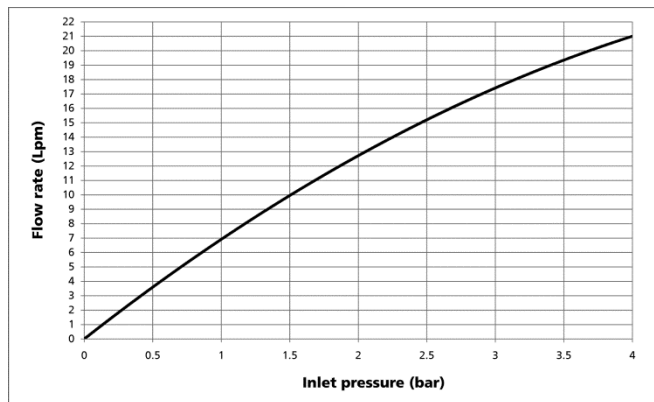
The Medical Water Filters Inline Filters comply to the requirements of the Medical Device Directive 93/42/EEC, Annex VII, and are registered a Class I, rule I products.

- Keep dry during storage; protect against freezing after first use
- Handle with care; do not expose to shocks
- Disposable product; discard as regular waste

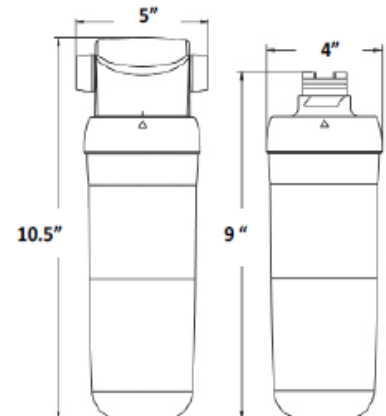
INSTALLATION, OPERATING & MAINTENANCE

- Sanitize equipment before change out
- Install vertically with cartridge hanging down
- If premature plugging occurs, sediment could be an issue at your facility. See our SafeTGard Point of Entry solutions.
- Use minimum length of tubing possible
- Flush to drain for 10 minutes at full flow
- Replace cartridges when capacity is reached or when flow becomes too slow, but at least every 90 days.

FLOW RATE VERSUS PRESSURE DROP



While testing was under standard laboratory conditions, actual performance may vary.



Disclaimer: The information and data on these sheets is for general purposes only. Since the conditions under which our products may be used are beyond our control, we cannot accept any liability with respect to the use of our products. Warranty information for the products can be found in the manual.

SAFE T GARD

TerraMarra International LLC

427 Eisenhower Lane South | Lombard, IL 60148

www.terramarra.com | info@terramarra.com